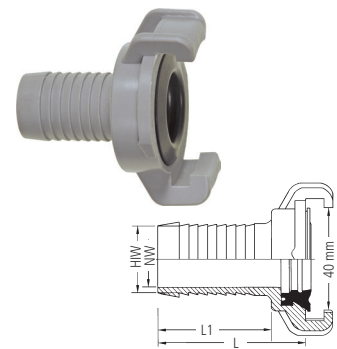


- Advantage / benefit:.....**High resistance to wear, abrasion and breaking**
- Material:.....Plastic PA 6 GF 25
- Claw distance:.....Uniformly 40 mm. Combinations with each other possible
Compatible with all other GEKA® versions
- Operating pressure:.....**Max. 15 bar**
- Vacuum resistance:.....Up to 10 m water column (WC)
- Temperature range:.....Approx. -5 °C to +100 °C (depending on the quality of the sealing ring)
- Sealing:.....Standard with **GEKA® plus high-performance shaped sealing rings form 300 NBR (300C), patented**, temperature range from approx. -10 °C to +90 °C
- Colour:.....Grey
- Options:.....Upon request GEKA® plus high-performance shaped sealing rings with the quality FKM (Fluoro-rubber) according to DIN ISO 1629 form 300 (300V), patented, as well as dirt strainers, available for self-assembly
- Area of application:.....**For water, suction and pressure hoses**, in the industry, in construction and agriculture, in gardening as well as in domestic water appliances

GEKA® plus hose pieces

Grommet with striking and hose protecting ribbed thread guarantees fixed hose fit

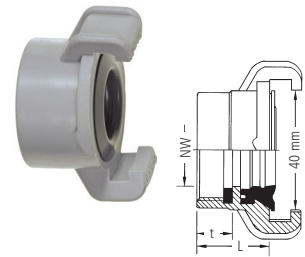
Hose IW mm	10	13	16	19	25	32
Hose size	3/8"	1/2"	5/8"	3/4"	1"	1 1/4"
Nominal width (NW) mm	7	10	12	15	20	27
L mm	41	41	45	45	50	61
L1 mm	28	28	32	32	37	48
PU units	10	10	10	10	10	10
Covering box units	200	200	200	200	150	80
Catalogue no.	40100PL	40101PL	40102PL	40103PL	40104PL	40106PL
EDV no.	09.0100	09.0101	09.0102	09.0103	09.0104	09.0106



GEKA® plus threaded parts with female thread

Flat seal ring NBR at the threaded side

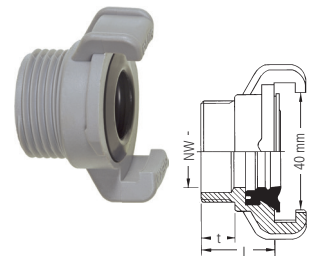
Female thread mm	19.17	24.66	30.93	39.59	45.48
Female thread	G 1/2"	G 3/4"	G 1"	G 1 1/4"	G 1 1/2"
Nominal width (NW) mm	14	18	23	23	23
t mm	11	11	11	15	15
L mm	24	24	24	31	31
PU units	10	10	10	10	10
Covering box units	200	200	150	150	100
Catalogue no.	40110PL	40111PL	40113PL	40114PL	40116PL
EDV no.	09.0110	09.0111	09.0113	09.0114	09.0116



GEKA® plus threaded parts with male thread

Conical sealing attachment at thread run-out

Male thread mm	20.95	26.44	33.25	41.91	47.80
Male thread	G 1/2"	G 3/4"	G 1"	G 1 1/4"	G 1 1/2"
Nominal width (NW) mm	14	19	23	23	23
t mm	11	13	13	15	17
L mm	24	24	26	28	30
PU units	10	10	10	10	10
Covering box units	200	200	200	150	100
Catalogue no.	40110APL	40111APL	40113APL	40114APL	40116APL
EDV no.	09.0120	09.0121	09.0123	09.0124	09.0126



GEKA® plus dummy coupling

With bore for fixing of little chains

L mm	26
L1 mm	13
PU units	10
Covering box units	200
Catalogue no.	40118PL
EDV no.	09.0118

